

elite Series



AVA LED

CR-OR 2
Data Sheet

QUALITY IN DETAIL

OUTDOOR SERIES

CR-OR 2 PRO "P2,97" | CR-OR 2 PLUS "P2,97"





02-03	○ Series and Features
04-05	○ Product Details
06-07	○ Size - Product Photo
08-09	○ Cabinet Detail - Safety
10-11	○ Installation Guides
12-13	○ Accessories - Company Info

- Advanced High Brightness Black technology,
- Advanced High Refresh Rate,
- Fast installation of panel to Light Frame,
- Just Signal person to install/uninstall, saving labor cost
- Die-Casting Aluminum frame design,
No noise, lower power consumption, good heat dissipation.
- Low Weight and Ultra thin Cabinet

elite Series



CR-OR 2 PRO "P2,97"

- High Refresh Rate: 3840Hz
- B Class Led Chip
- High Quality PCB
- High Quality MASK

CR-OR 2 PLUS "P2,97"

- High end Refresh Rate: 3840Hz
- A Class Led Chip
- Best Quality PCB
- Best Quality MASK
- High end Refresh Rate
- 18 Bit
- Clear View
- Free Rotation
- HDR
- 4K Refresh Rate



Features

- *** FRONT SERVICE
- *** Light Weight
- *** Aliminum Die-Casting
- *** 500x500 Cabinet : 7kg
- *** Advenced and safety Lock
- *** Nova Star Controller
- *** SPACE BLACK
- *** WATERPROOF
- *** Flat or Curver Series " optional "

○ TECHNICAL SPECIFICATION

MODEL NAME Version	CR-OR 2 PRO "P2,97"	CR-OR 2 PLUS "P2,97"
Pixel Pitch	2,97mm	2,97mm
Module Change	FrontServices	FrontServices
Pixel Configuration	SMD1415	SMD1415
LED	Black Shell	Black Shell
Processing	16 Bit	-
Processing	-	18 Bit
Pixel Density / m2	112896	112896
Resolution/SQM	336 x 336	336 x 336
Cabinet Resolution 500x500	168x168	168x168
Pixel Density / Cabinet	28224	28224
Module Size (mm)	250 x 250	250 x 250
Cabinet Size (mm) " OPTIONAL "	500 x 500 x 85	500 x 500 x 85
Module Per SQM	16 MODULE	16 MODULE
Module Resolution	84 x 84	84 x 84
Weight Per Panel Net kg. 500x500mm	7	7
Rotation per 90 Degree	✓	✓
Free Rotation (with R5)	○	✓
Mapping	✓	✓
Clear View	○	✓
Low Latency	○	✓
HDR	○	✓
Power Consumption (<w/sqm)	780	780
Average Power Consumption (<w/sqm)	273	273
Driving Method	1/21	1/21
Brightness	>4150 Nits	>4400 Nits
Refresh Rate	-	-
Refresh Rate High Refresh	>3840Hz	>3840Hz
Refresh Quality	High Quality	Best Quality
High Refresh (PLL inside)	-	✓
High Refresh Power Saving	✓	✓
High Refresh Dynamic Power Saving	-	✓
Driving IC Type	PWM	PWM
Refrate Quality 2	High Quality	4K Refresh Rate
No Waterless Ripple of Camera	>%75	>%90
Cabinet Material	Die-Casting Aliminum	Die-Casting Aliminum
Horizontal Viewing Angle	140 (±30)	140 (±30)
Vertical Viewing Angle	140 (±30)	140 (±30)
Expected LED Lifetime %50	100,000 Hours	100,000 Hours
IP Rating	IP 65	IP 65
PCB Quality	Best Quality	Best Quality
Module - Mask Quality	Best Quality	Best Quality
LED Chip	Class B	Class A
Picture / Video Quality	High Quality	Best Quality
Grey Scale	65536	262144
Control Systems	Nova Star	Nova Star
Operating Temperature Range	-20 - +60 (±10)	-20 - +60 (±10)
Operating Humidity Range	-40°C~+60°C,10%-90%RH	-40°C~+60°C,10%-90%RH
Voltage Range	200 ~240VAC	200 ~240VAC
Packing include	Plate-Power-Cat5 Cable	Plate-Power-Cat5 Cable
Certificate	CE/EMC/LVD-ATR-EUR1 ISO-9001:2015 ISO-14001:2015	CE/EMC/LVD-ATR-EUR1 ISO-9001:2015 ISO-14001:2015

The data written in the Datasheet may different by + - 10%

elite Series



PRODUCT CABINET SIZE

size : 500mm



size : 500mm

7KG

size : 70mm



QUALITY IN DETAIL

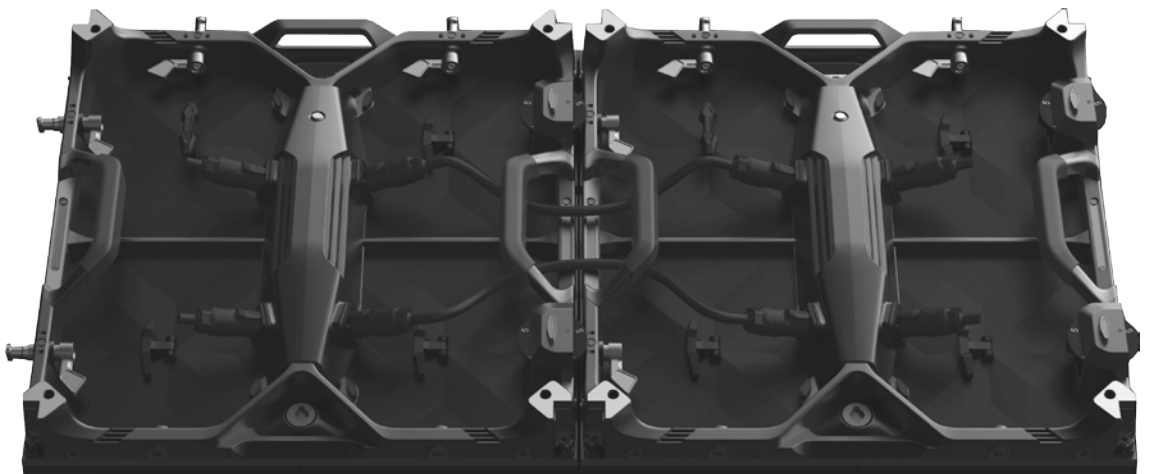
CABINET SIZE

elite

Series



PRODUCT PHOTO



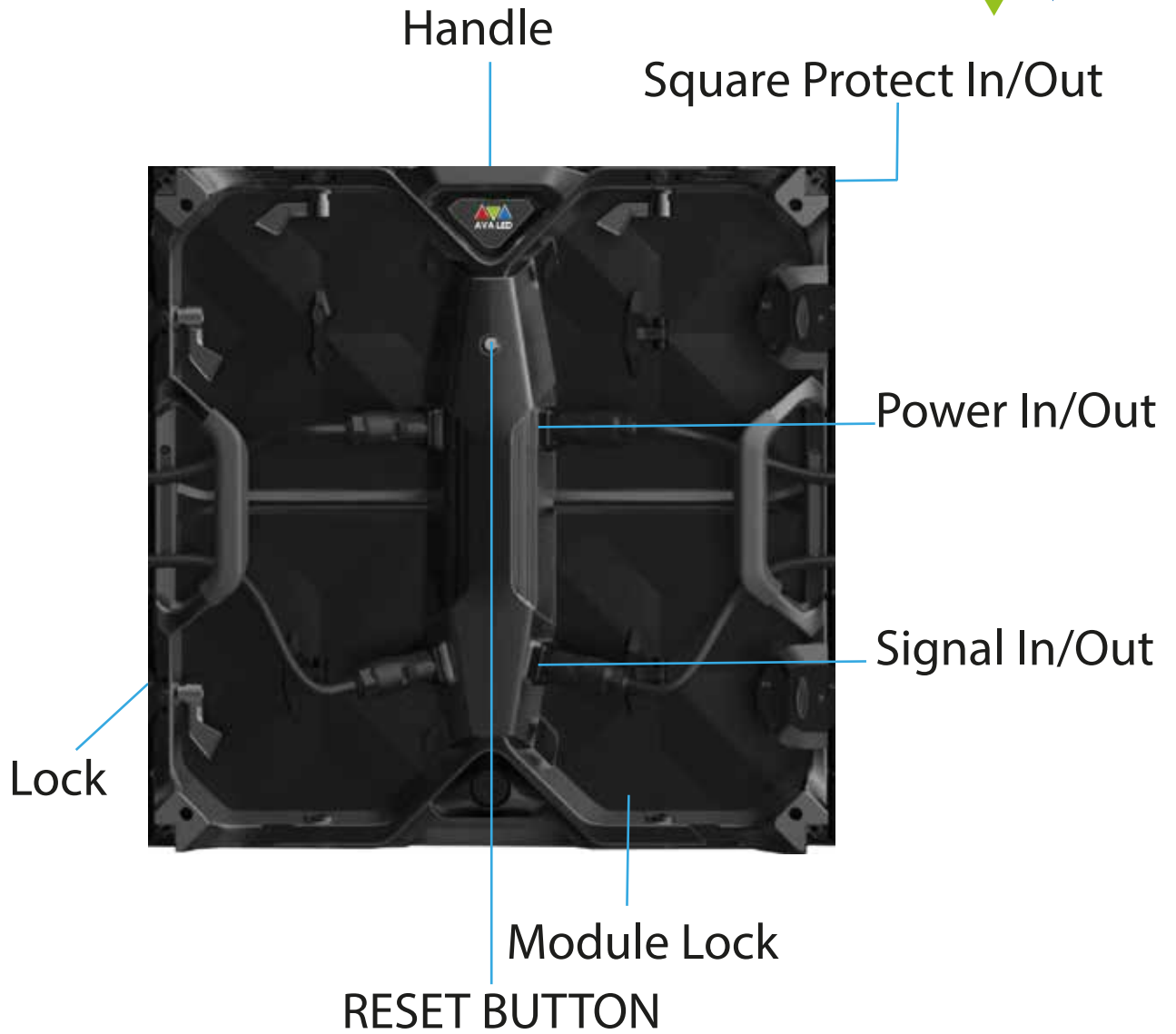
QUALITY IN DETAIL

elite

Series

08

CABINET DETAIL

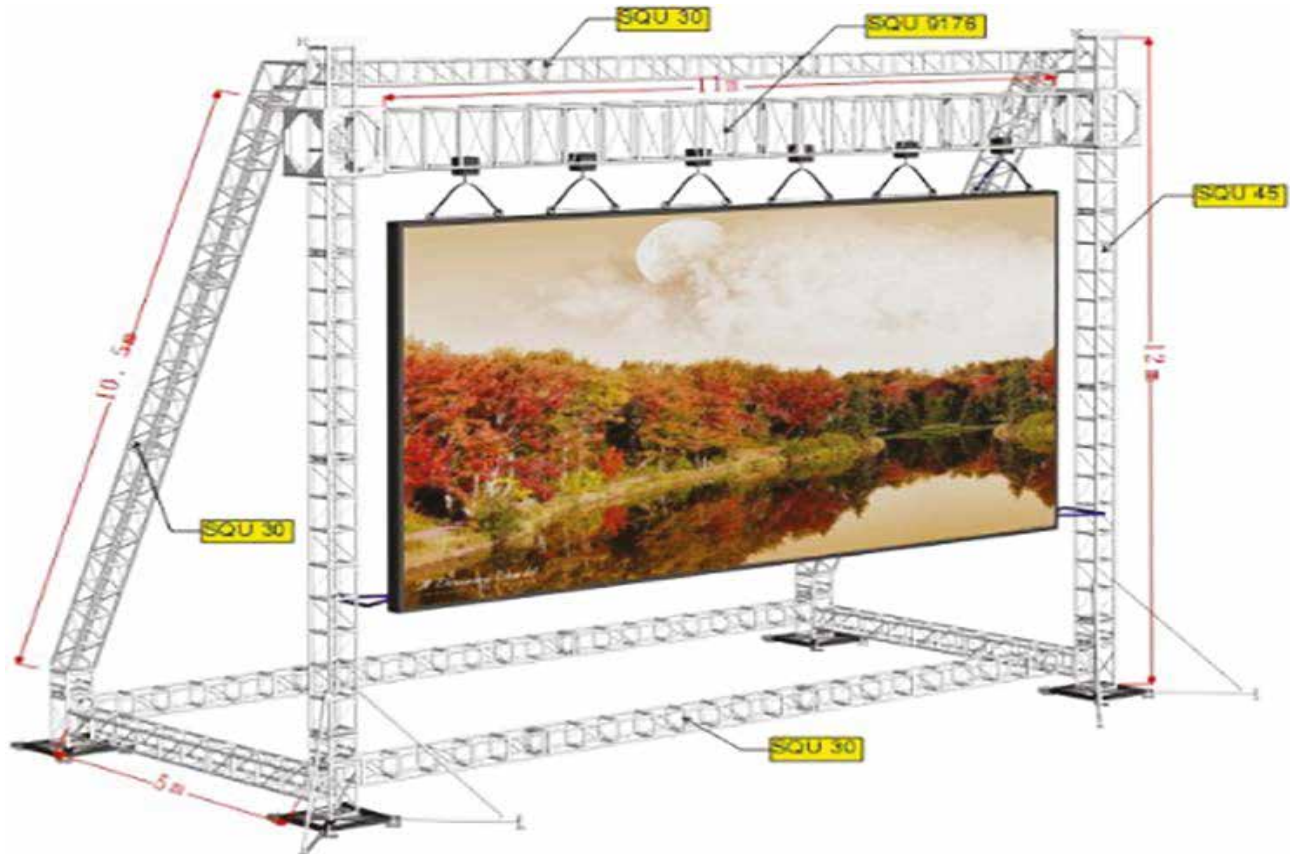


Front Service



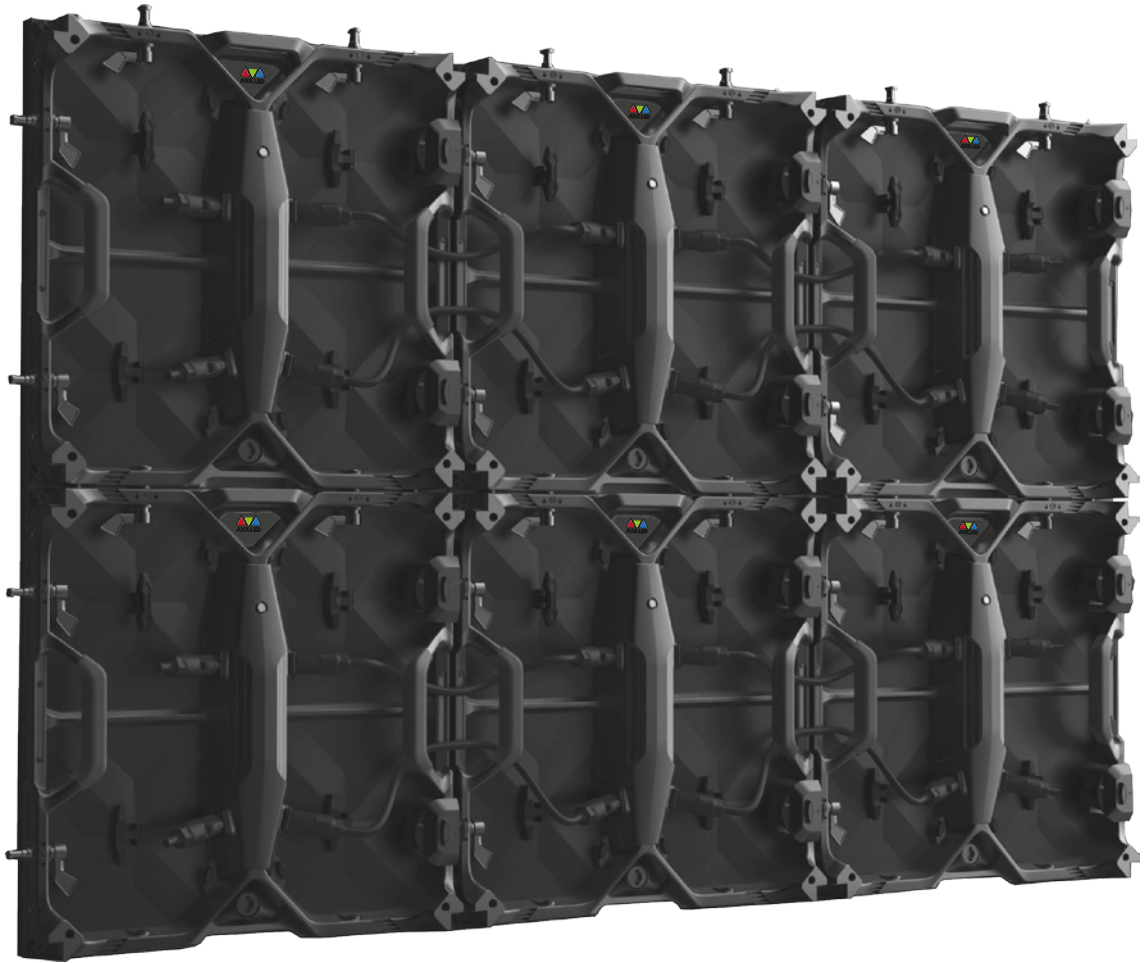
QUALITY IN DETAIL

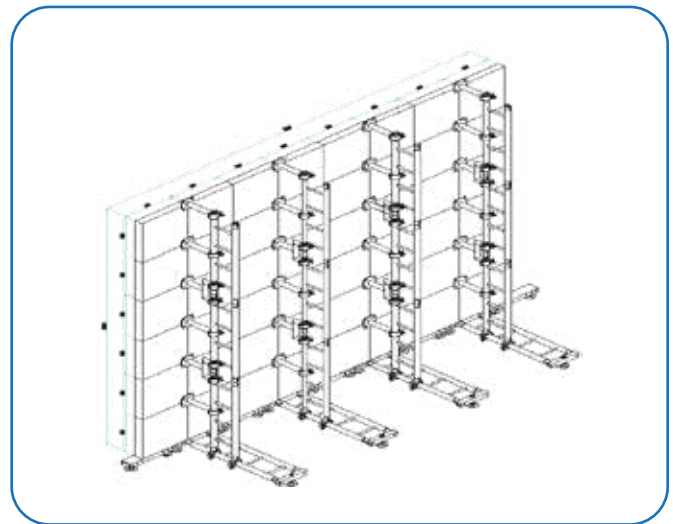
SAFETY



QUALITY IN DETAIL

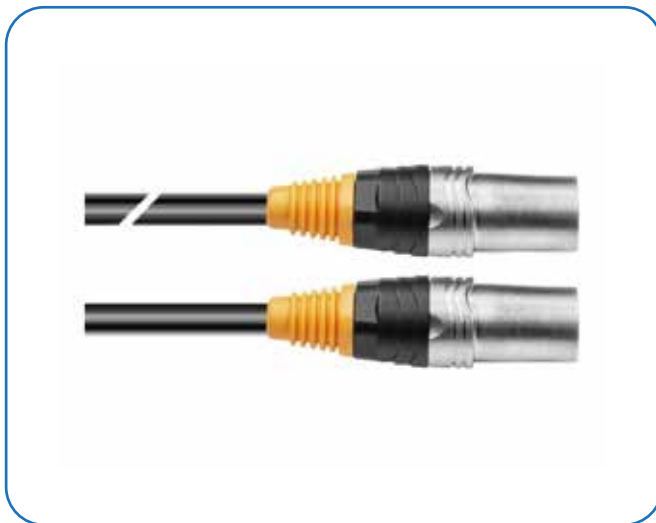
INSTALLATION





INSTALLATION

elite Series



ACCESSORIES



AVA LED

www.avaledscreen.com

info@avaledscreen.com

AVA GROUP GMBH

Adress: Goethestraße 7D - 40237 Düsseldorf / Germany

Phone : +49 211 730 64 817

